

CAN ART

ALUMINUM EXTRUSION INC.

CUSTOMER

DESCRIPTION

CAN ART OPEN

CUSTOMER PART No.

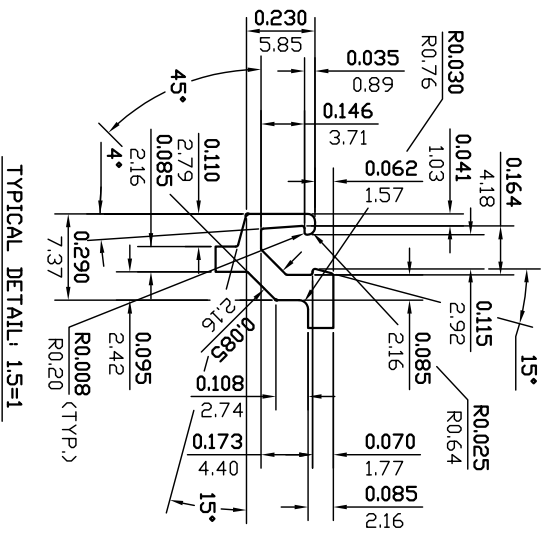
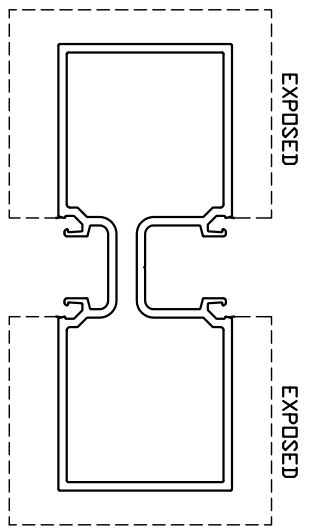
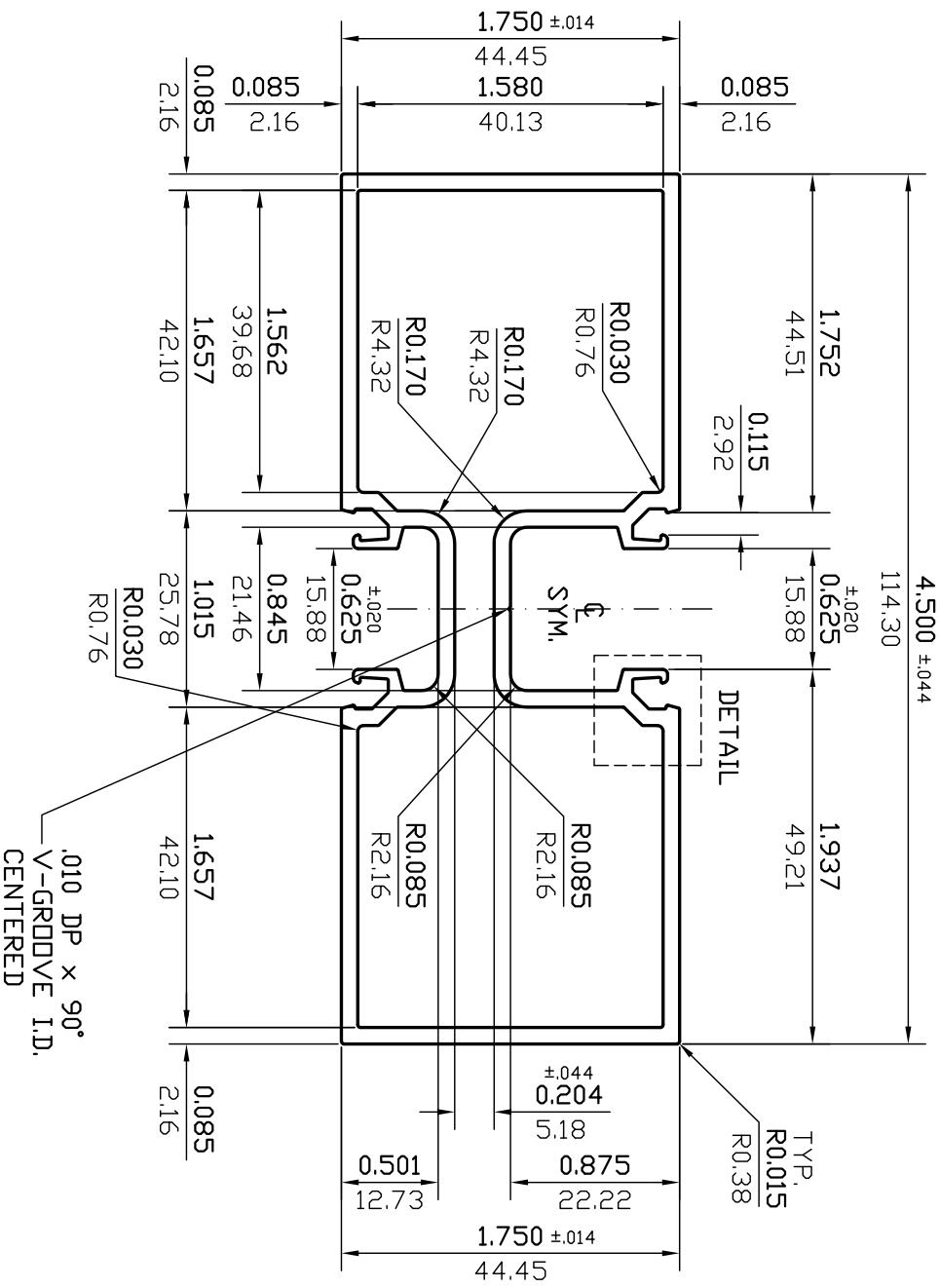
DIE No.
EH17412

REV No.
0

MULLION

QUOTE No.
13-0905-1

PROPOSAL No.
H-28607



WALL THICKNESS 0.085(2.16) EXCEPT AS SHOWN

DATE	REV	DESCRIPTION	BY	EST. AREA	EST. WT.	IN ²	EST. AREA	EST. WT.	MM ²
				1.298	1.532	LBS./FT.	837.599	2.280	MM ²
				31.209	17.232	IN.	792.698	437.7	MM.
				4.818		IN.	122.365		MM.

FINISH	ALLOY	EST. PER.	OUT PER.	EST. PER.	OUT PER.
M/F	6063	31.209	17.232	792.698	437.7
		4.818		122.365	

85 PARKSHORE DRIVE	TEL. NO. (905) 791-1464	DATE 09/30/2013
BRAMPTON, ONT L6T 5M1	FAX NO. (905) 791-9151	
	WEB: www.canart.com	

SIGNED: _____ DATE: _____

THIS DRAWING IS NOT NECESSARILY A COPY OF YOUR ORIGINAL. PLEASE APPROVE DIMENSIONS AND TOLERANCES INDICATED. CAN ART ASSUMES NO RESPONSIBILITY EITHER TECHNICAL OR LEGAL FOR HAVING THIS SHAPE MADE. THE CUSTOMER AGREES TO FULLY PROTECT CAN ART ALUMINUM FROM CLAIMS OF OTHERS RESULTING FROM THIS SHAPE.