

CUSTOMER PART No.

CUSTOMER

CAN ART OPEN

DIE No.

EH05427

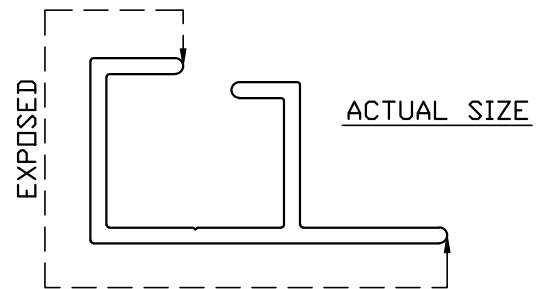
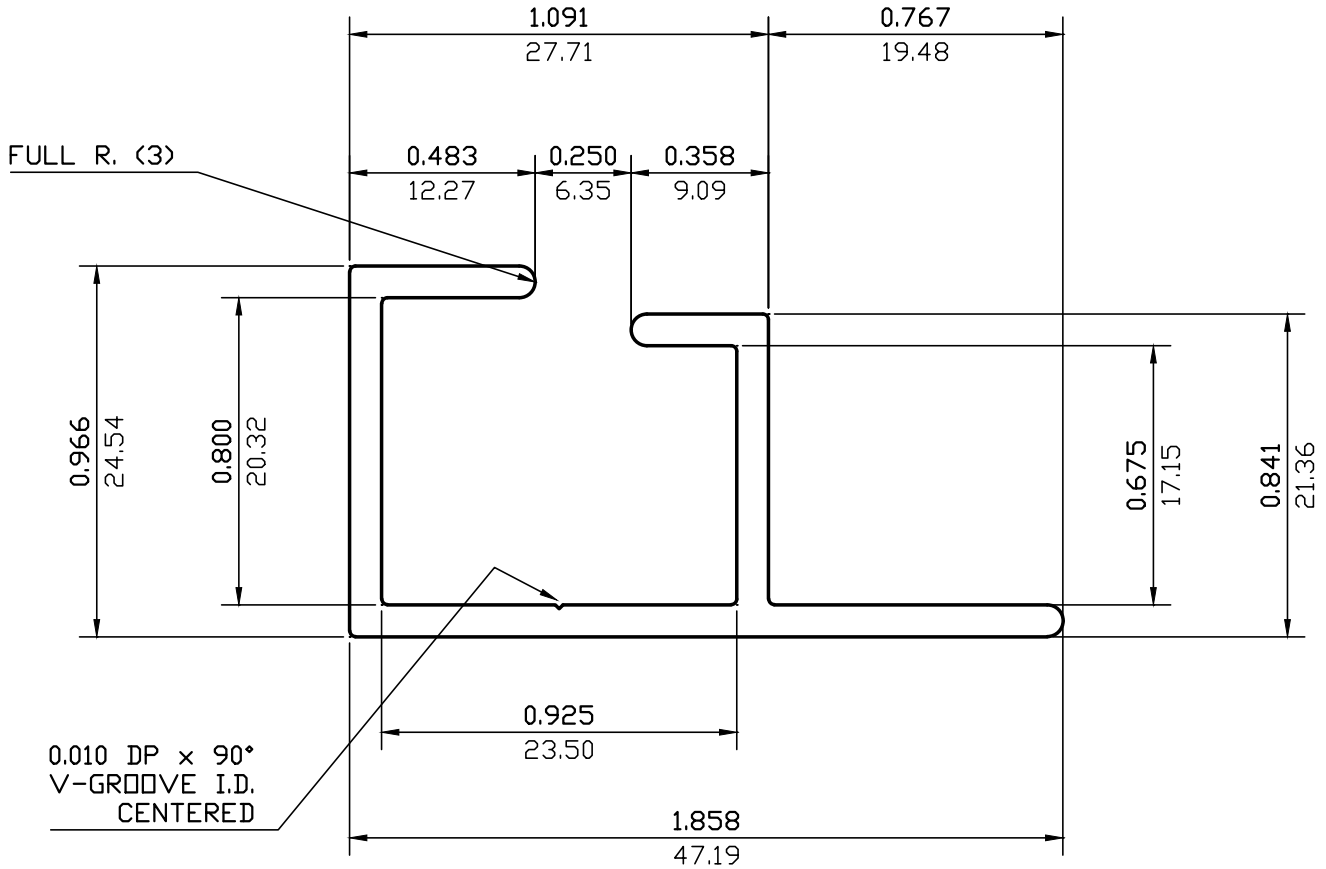
DESCRIPTION

SIGN SHAPE (EX 12)

PROPOSAL No.

S-3349

NOTE: BREAK ALL CORNERS WITH 0.015" (.38 MM) RADIUS UNLESS OTHERWISE NOTED. STANDARD TOLERANCES TO APPLY UNLESS OTHERWISE SPECIFIED.



WALL THICKNESS 0.083 (2.11) EXCEPT AS SHOWN

DATE	REV	DESCRIPTION		BY	
EST.AREA	0.344	IN. ²	EST.AREA	222	MM. ²
EST.WT.	0.406	LBS./FT.	EST.WT.	0.604	KG/M.
EST.PER.	8.415	IN.	EST.PER.	213.8	MM.
OUT PER.		IN.	OUT PER.		MM.
C.C.D.	2.079	IN.	C.C.D.	53	MM.
FACTOR	21	FINISH	PAINT	ALLOY & TEMP.	6063
CKD BY		SCALE	2:1	DWN BY	C.P. DATE 11/16/93

CAN ART

ALUMINUM EXTRUSION INC.

85 PARKSHORE DRIVE
BRAMPTON, ONT L6T 5M1
TEL. NO. (905) 791-1464
FAX NO. (905) 791-9151
E-MAIL: canart@canart.com

THIS DRAWING IS NOT NECESSARILY A COPY OF YOUR ORIGINAL. PLEASE APPROVE DIMENSIONS AND TOLERANCES INDICATED. CAN ART ASSUMES NO RESPONSIBILITY EITHER TECHNICAL OR LEGAL FOR HAVING THIS SHAPE MADE. THE CUSTOMER AGREES TO FULLY PROTECT CAN ART ALUMINUM FROM CLAIMS OF OTHERS RESULTING FROM THIS SHAPE.

SIGNED: _____ DATE: _____