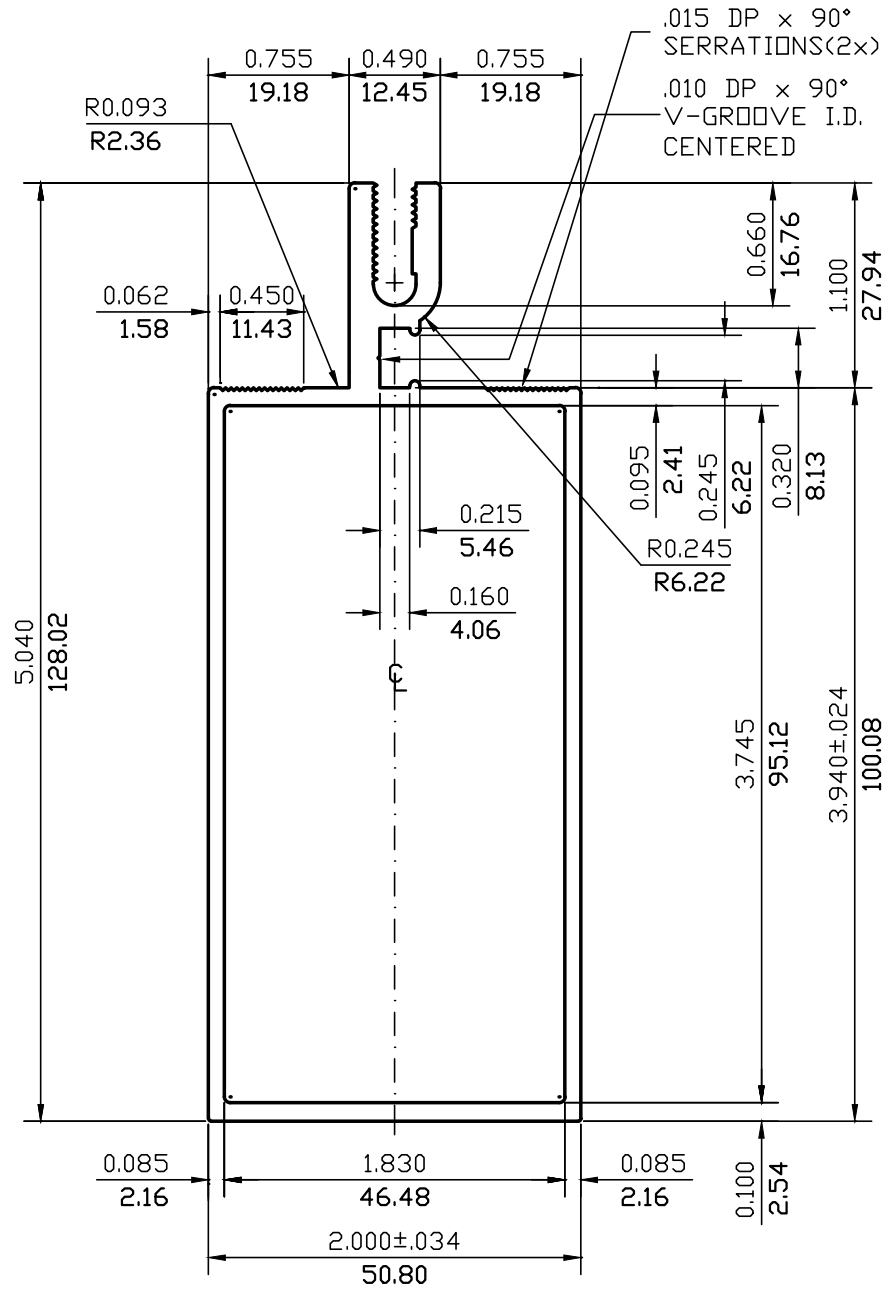
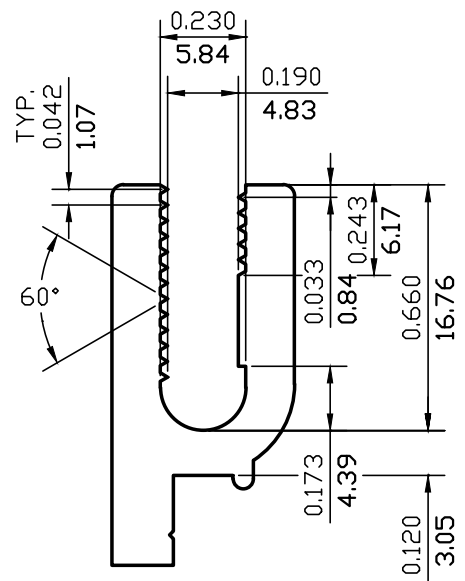
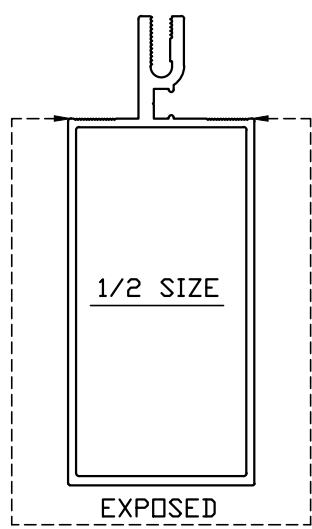


NOTE: BREAK ALL CORNERS WITH 0.015" (.38 MM) RADIUS UNLESS OTHERWISE NOTED. STANDARD TOLERANCES TO APPLY UNLESS OTHERWISE SPECIFIED.

CUSTOMER PART No.	CUSTOMER CAN ART OPEN	DIE No. EH06628
DESCRIPTION	MULLION	PROPOSAL No. H-1078



() = R0.031(R0.79)
UNMARKED = FULL



WALL THICKNESS (AS SHOWN)		EXCEPT AS SHOWN	
DATE	REV	DESCRIPTION	BY
EST.AREA	1.310	IN. ²	EST.AREA 845.222
EST.WT.	1.546	LBS/FT.	EST.WT. 2.301
EST.PER.	27.840	IN.	EST.PER. 707.140
OUT PER.	16.743	IN.	OUT PER. 425.3
C.C.D.	5.247	IN.	C.C.D. 133.283
FACTOR	18	FINISH	M/F
ALLOY & TEMP.	6063-T6		
CKD BY	SCALE	DWN BY	DATE
	1:1	C.P.	11/13/98

CAN ART

ALUMINUM EXTRUSION INC.

85 PARKSHORE DRIVE
BRAMPTON, ONT L6T 5M1
TEL. NO. (905) 791-1464
FAX NO. (905) 791-9151
E-MAIL: canart@canart.com

THIS DRAWING IS NOT NECESSARILY A COPY OF YOUR ORIGINAL. PLEASE APPROVE DIMENSIONS AND TOLERANCES INDICATED. CAN ART ASSUMES NO RESPONSIBILITY EITHER TECHNICAL OR LEGAL FOR HAVING THIS SHAPE MADE. THE CUSTOMER AGREES TO FULLY PROTECT CAN ART ALUMINUM FROM CLAIMS OF OTHERS RESULTING FROM THIS SHAPE.

SIGNED: _____ DATE: _____