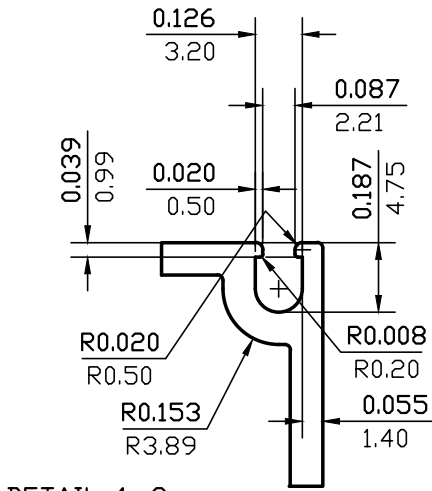
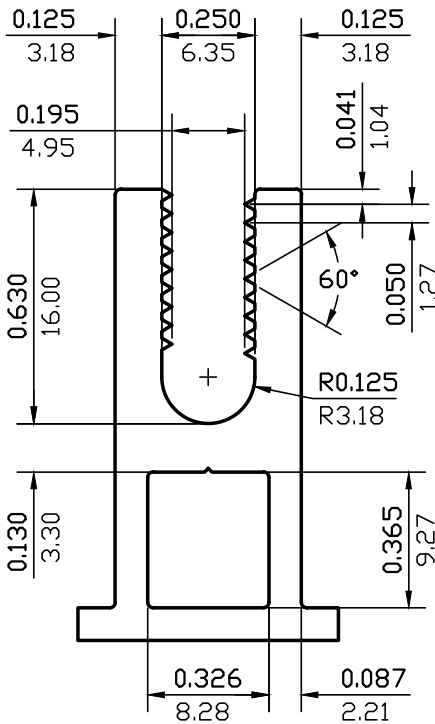


NOTE: BREAK ALL CORNERS WITH 0.015" (.38 MM) RADIUS UNLESS OTHERWISE NOTED. STANDARD TOLERANCES TO APPLY UNLESS OTHERWISE SPECIFIED.

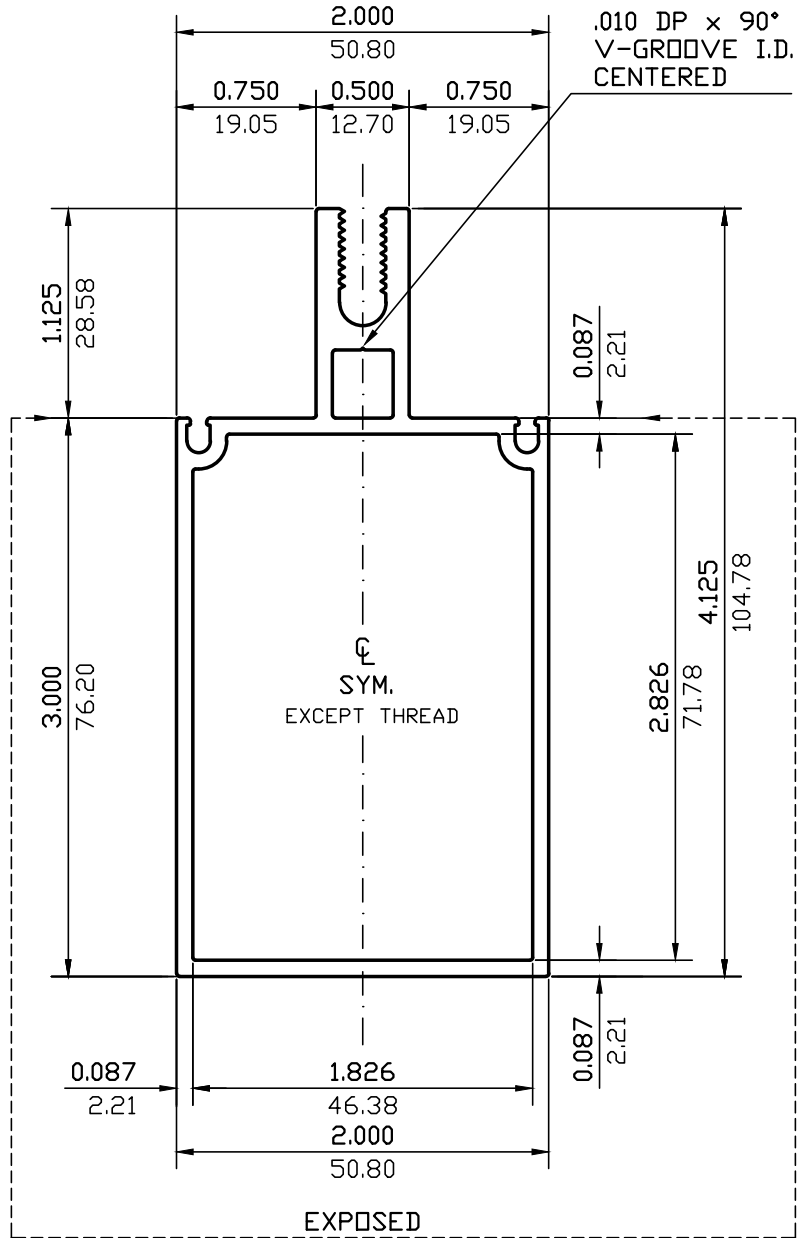
|             |                     |                   |         |              |          |
|-------------|---------------------|-------------------|---------|--------------|----------|
| CUSTOMER    | <b>CAN ART OPEN</b> | DIE No.           | EH13166 | REV. No.     | <b>0</b> |
| DESCRIPTION | 2" x 3" MULLION     | CUSTOMER PART No. |         | PROPOSAL No. | H-14028  |



DETAIL-1: 2x



DETAIL-2: 2x



WALL THICKNESS 0.087 (2.21) EXCEPT AS SHOWN

| DATE     | REV       | DESCRIPTION      | BY               |                  |
|----------|-----------|------------------|------------------|------------------|
|          |           |                  |                  |                  |
| EST.AREA | 1.157     | IN. <sup>2</sup> | EST.AREA 746.717 | MM. <sup>2</sup> |
| EST.WT.  | 1.366     | LBS./FT.         | EST.WT. 2.032    | KG/M.            |
| EST.PER. | 25.166    | IN.              | EST.PER. 639.208 | MM.              |
| OUT PER. | 14.665    | IN.              | OUT PER. 372.5   | MM.              |
| C.C.D.   | 4.383     | IN.              | C.C.D. 111.316   | MM.              |
| FINISH   | ANODIZE   |                  | ALLOY            | 6063             |
| CKD BY   | FACTOR 18 | SCALE 1:1        | DWN BY C.P.      | DATE 10/22/2003  |

# CAN ART

ALUMINUM EXTRUSION INC.

85 PARKSHORE DRIVE  
BRAMPTON, ONT L6T 5M1  
TEL. NO. (905) 791-1464  
FAX NO. (905) 791-9151  
WEB: www.canart.com

THIS DRAWING IS NOT NECESSARILY A COPY OF YOUR ORIGINAL. PLEASE APPROVE DIMENSIONS AND TOLERANCES INDICATED. CAN ART ASSUMES NO RESPONSIBILITY EITHER TECHNICAL OR LEGAL FOR HAVING THIS SHAPE MADE. THE CUSTOMER AGREES TO FULLY PROTECT CAN ART ALUMINUM FROM CLAIMS OF OTHERS RESULTING FROM THIS SHAPE.

SIGNED: \_\_\_\_\_ DATE: \_\_\_\_\_