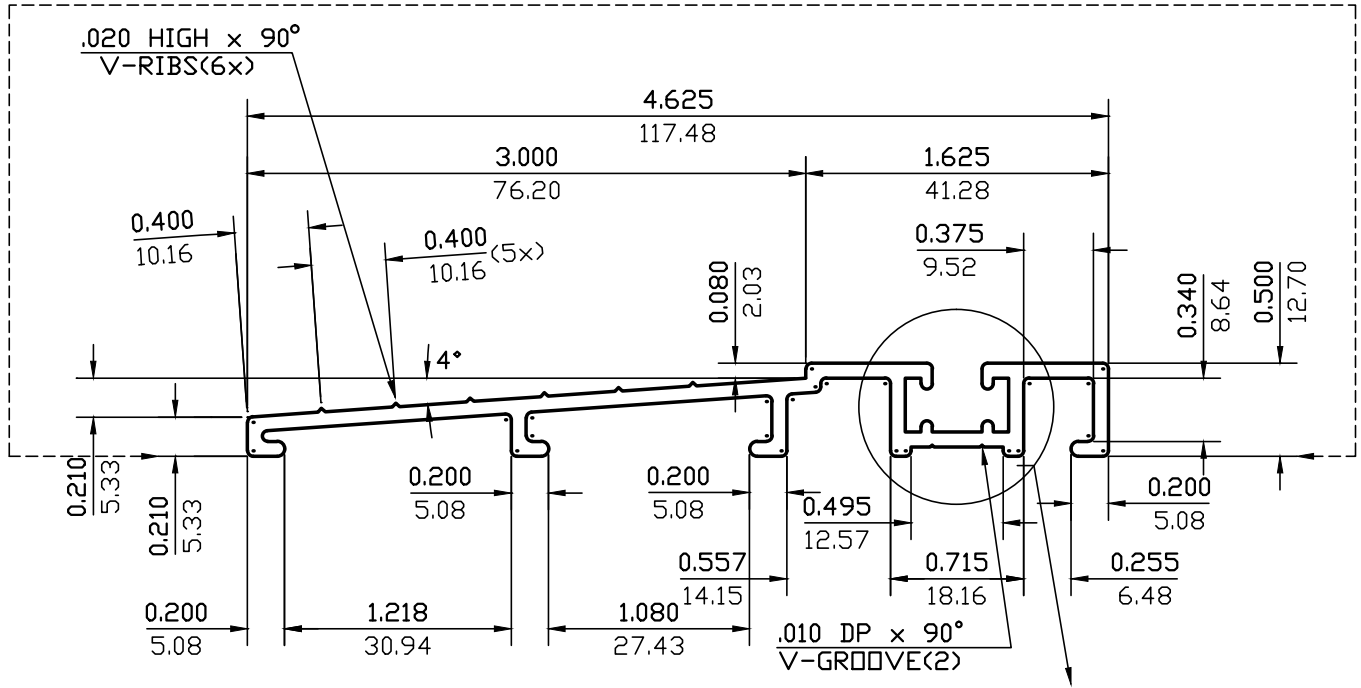
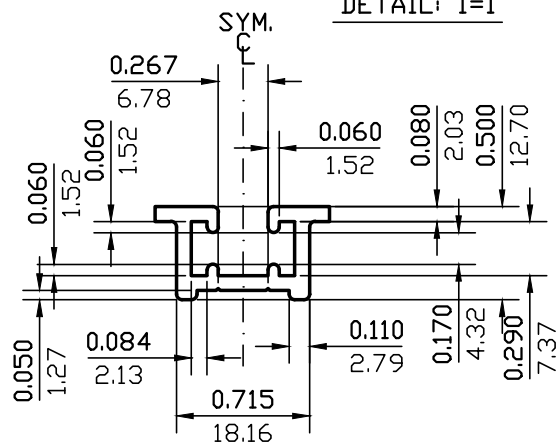


CUSTOMER <b>CAN ART OPEN</b>		DIE No. <b>ES08737</b>	REV. No. <b>3</b>
DESCRIPTION <b>4-5/8" SILL</b>	CUSTOMER PART No.	QUOTE No. <b>06-0025-1</b>	PROPOSAL No. <b>S-5577</b>

EXPOSED SURFACE



DETAIL: 1=1



(.) = R0.030(R0.76)  
UNMARKED = FULL

NOTE: BREAK ALL CORNERS WITH 0.015" (.38 MM) RADIUS UNLESS OTHERWISE NOTED. STANDARD TOLERANCES TO APPLY UNLESS OTHERWISE SPECIFIED.

WALL THICKNESS 0.080 (2.03) EXCEPT AS SHOWN

DATE	REV	DESCRIPTION	BY
EST.AREA	0.610	in. <sup>2</sup>	EST.AREA 393.338
EST.WT.	0.719	LBS/FT.	EST.WT. 1.071
EST.PER.	15.037	IN.	EST.PER. 381.952
OUT PER.		IN.	OUT PER.
C.C.D.	4.646	IN.	C.C.D. 118.005
FINISH	M/F	ALLOY	6063
CKD BY	FACTOR 21	SCALE 1:1	DWN BY C.P. DATE 05/14/1996

**CAN ART**

ALUMINUM EXTRUSION INC.

85 PARKSHORE DRIVE  
BRAMPTON, ONT L6T 5M1  
TEL. NO. (905) 791-1464  
FAX NO. (905) 791-9151  
WEB: www.canart.com

THIS DRAWING IS NOT NECESSARILY A COPY OF YOUR ORIGINAL. PLEASE APPROVE DIMENSIONS AND TOLERANCES INDICATED. CAN ART ASSUMES NO RESPONSIBILITY EITHER TECHNICAL OR LEGAL FOR HAVING THIS SHAPE MADE. THE CUSTOMER AGREES TO FULLY PROTECT CAN ART ALUMINUM FROM CLAIMS OF OTHERS RESULTING FROM THIS SHAPE.

SIGNED: \_\_\_\_\_ DATE: \_\_\_\_\_